

sero⁴

PRODUCT CATALOGUE



ASconnect
We protect lives and assets through technology

Intro.

FS Connect, is a leading systems integrator providing end-to-end life safety and electronic security solutions throughout Africa. It is a subsidiary of FS Group, successfully in business for 50+ years. FS Connect is the Master Distributor of Sera4 in South Africa and Sub-Saharan Africa.

The purpose of this catalogue is to provide customers with essential product and accessory details to assist in the buying process. Below is a summary of the products features, dimensions, pricing, weight, recommendations and more.



About the Technology

Secure, scalable, and reliable keyless access control that brings enterprise-grade security to critical infrastructure and remote sites.

Eliminate Physical Keys

Use the Teleporte app to provision users with digital keys to open Sera4 locks securely with a mobile device.

Real-time Access Control

Lower service costs and increase capacity and speed by issuing electronic keys, in real time, to provide access to critical infrastructure.

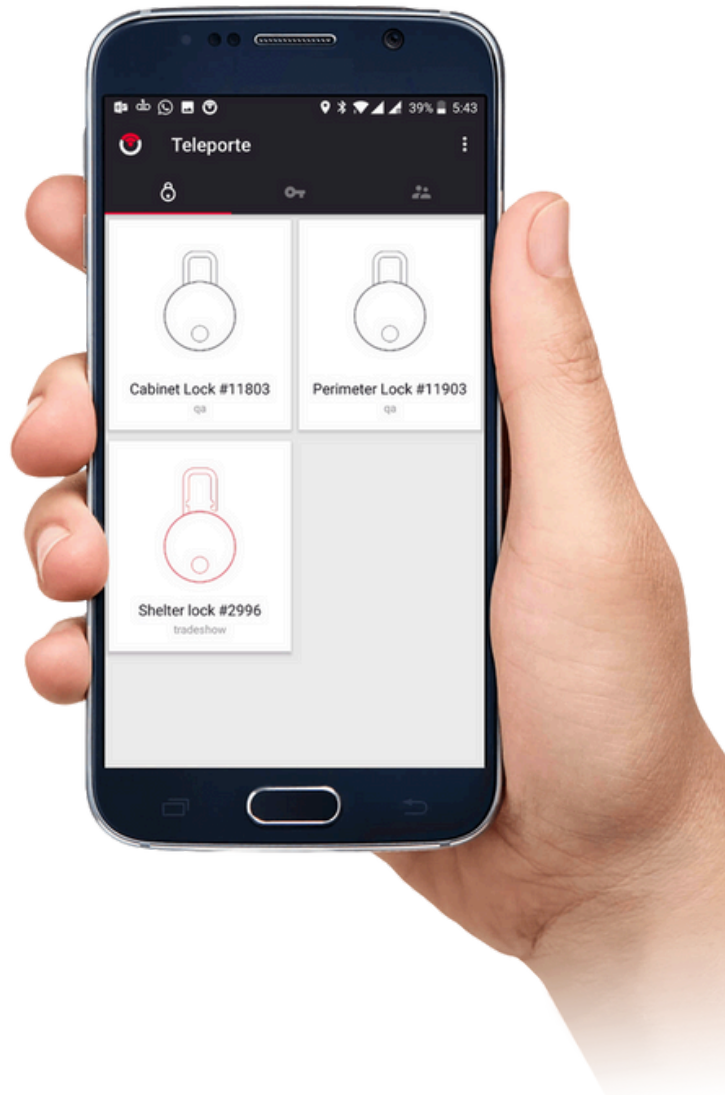
Identity Management

No more anonymous access. Gain insights into who accessed your site, when they accessed it, and how long they were there.

Trusted Access Logs

Generate reliable access reports to understand both authorized accesses and unauthorized access attempts across sites.

Your critical infrastructure is too important to entrust to mechanical keys. Getting the right access to the right people, right when they need it, can be the difference between compliance and non-compliance, happy customers and frustrated customers, or security and vulnerability.



Contents

1. AP3 Padlock Range

1.1AP3S 50mm Short Shackle Padlock	6
1.2AP3L 75mm Long Shackle Padlock	7
1.3 AP3S 50mm Short Shackle	8
1.3 AP3L 75mm Short Shackle	8
1.4Electroplated Nickel Coatig	9
1.4AP3 Armored Padlock Lithium Battery	9
1.5Kensington Lock	10
1.6Cable Chain and Connector	11
1.6Custom Tether Cable	11
1.7Custom Hasp	12
1.7 Custom Vault	12
1.8AP3 Armored Padlock Enclosure - Stainless Steel	13

2. Lock Controller Range

2.1Standard AX5 Lock Controller	15
2.2AX5 Configurations	16
2.3SLC2 Lock Controller	17
2.4Access Pad	18
2.4Access Pad - SLC2	18
2.5Surface Mount Junction Boxes	19
2.5Power Supplies	19

Contents

3. Recommended Locking Mechanisms

Recommended Locking Mechanisms - Indoor Use

3.19 Series Electromechanical Rotary Lock - Full Featured	21
3.28 Series Electromechanical Rotary Lock - Basic Functionality	22
3.34 & 6 Series Electronic Rotary Latch Lock - All metal construction	23
3.4 Electric Strike lock	24
3.4 Dirak Electric Bolt lock	24
3.5 Indoor Electric Swing Handle	25
3.5 Electromagnetic Locks	25

Recommended Locking Mechanisms - Outdoor Use

3.61 & 2 Series Electronic Rotary Latch - All metal construction	26
3.75 & 7 Series Electronic Rotary Latch	27
3.8 Narrow Electric Bolt 12v (Failsecure)	28
3.8 Bolt Action Lock-Failsecure	28
3.9 Outdoor Electric Swing handle	29
3.9 12v Linear Actuator	29
3.10 Rotary Push-to-Close Latch - Micro	30
3.10 Rotary Push-to-Close Latch - Small	30
3.11 Rotary Push-to-Close Latch - Heavy Duty	31

Recommended Locking Mechanisms - Accessories

3.12 Rotary Push-to-Close Latch, Striker, Striker Bolt, M8 Thread	
3.12 Rotary Push-to-Close Latch Striker	32
	32

4. Recommended Devices

4.1 UleFone Armor X7 Rugged Phone	34
4.3 UleFone Armor X6 Rugged Phone	35

5. Teleporte License

5.1 Teleporte Enterprise License Options	37
5.2 Teleporte Enterprise License Features	38

AP3 Padlock Range

The Sera4 AP3 Armored Padlock with 50mm Shackle is a smart padlock designed to withstand abuse and resist attempts at theft and vandalism.

It provides years of trouble-free service in harsh environments and comes ready for stand-alone use with the Teleporte™ enterprise access control network.

1.1	AP3S 50mm Short Shackle Padlock	6
1.2	AP3L 75mm Long Shackle Padlock	7
1.3	AP3S 50mm Short Shackle	8
1.3	AP3L 75mm Short Shackle	8
1.4	Electroplated Nickel Coatig	9
1.4	AP3 Armored Padlock Lithium Battery	9
1.5	Kensington Lock	10
1.6	Cable Chain and Connector	11
1.6	Custom Tether Cable	11
1.7	Custom Hasp	12
1.7	Custom Vault	12
1.8	AP3 Armored Padlock Enclosure - Stainless Steel	13



AP3 Padlock Range

FSS11725S

Product Code	FSS11725S
Description	AP3S 50mm Short Shackle Padlock including Hardware Enablement

The AP3 Armored Padlock with 50mm Shackle is a smart padlock designed to withstand abuse and resist attempts at theft and vandalism.

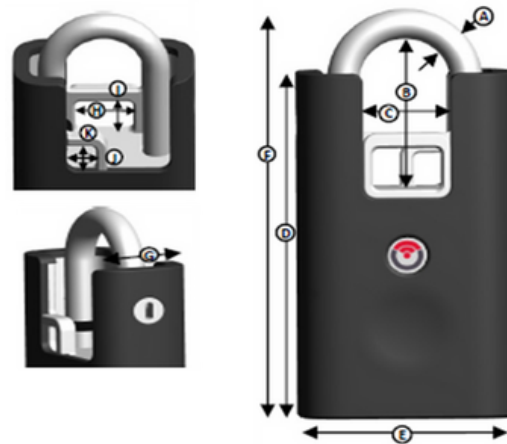
Features:

- Silicone rubber shell
- Replaceable extreme-weather battery
- Status indicator light
- Micro USB port for backup power
- Open/Close integrated sensors
- Optional failsafe unlock

Tether Options:

- Kensington Lock
- Cable Chain and Connector

Download the Datasheet below:



Dimension	A	B	C	D	E
Size (mm)	10	50	25	109	60

Dimension	F	G	H	I	J	K
Size (mm)	135	29	21	14	10	11

AP3 Padlock Range

FSS11799S

Product Code	FSS11799S
Description	AP3L 75mm Long Shackle Padlock including Hardware Enablement

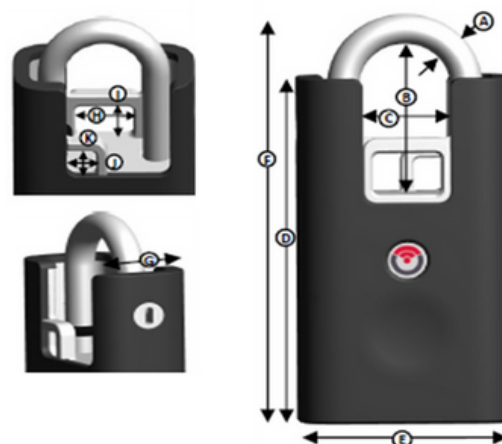
The AP3 Armored Padlock with 75mm Shackle is a smart padlock designed to withstand abuse and resist attempts at theft and vandalism.

Features:

- Silicone rubber shell
- Replaceable extreme-weather battery
- Status indicator light
 - Micro USB port for backup power
- Open/Close integrated sensors
- Optional failsafe unlock

Tether Options:

- Kensington Lock
- Cable Chain and Connector



Dimension	A	B	C	D	E
Size (mm)	10	50	25	109	60

Dimension	F	G	H	I	J	K
Size (mm)	135	29	21	14	10	11

Long Shackle version (Dimension B=75mm): AP3L

AP3 Padlock Accessories

FSS11800S

Product Code	FSS11800S
Description	AP3S 50mm Short Shackle



AP3 Armored Padlock 50mm Shackle only. Replacing shackles is an easy process that can be done yourself. Watch how to replace a short shackle:



FSS11801S

Product Code	FSS11801S
Description	AP3L 75mm Short Shackle



AP3 Armored Padlock 75mm Shackle only. Replacing shackles is an easy process that can be done yourself. Watch how to replace a long shackle:



AP3 Padlock Accessories

AP3-ENC

Product Code	AP3-ENC
Description	Electroplated Nickel Coating for AP3 Replacement Shackles



The material of the shackle is boron steel, which is standard for high security padlocks. Boron steel is also known to be lower on the Galvanic series and therefore can be prone to corrosion in certain environments. For this reason electroplated nickel coating can be used on the AP3 shackles, which helps increase corrosion resistance.

FSS12142S

Product Code	FSS12142S
Description	AP3 Armored Padlock Lithium ION Battery



An AP3 Padlock's battery has a 3 to 5 year lifespan, however frequent usage might lead to needing a battery change. Watch how to change the AP3 Padlock's battery:



AP3 Padlock Accessories

AP3-KL

Product Code	AP3-KL
Description	AP3 Armored Kensington Lock

The AP3 Padlock is designed with two Kensington Lock points on both sides, as well as an additional two tether points in the front and back.

Best Use Case:

Securing the padlock hardware to the gate/cage/container such that the entire padlock is kept on its intended location.



AP3 Padlock Accessories

FSS12467S

Product Code	FSS12467S
Description	AP3 Cable Chain and Connector

Cable chains and connectors of steel braided aircraft cable construction are recommended as another tether point option.

Best Use Case:

Securing the padlock hardware to the gate/cage/container such that the entire padlock is kept on its intended site.



FSS12468S

Product Code	FSS12468S
Description	AP3 Custom Padlock Tether Cable

Custom padlock tether cables can be used as a substitute to indoor padlock chains.

Alternatively, padlock tethers can be placed on the AP3 Padlock's tether points.



AP3 Padlock Accessories

AP3-CH

Product Code	AP3-CH
Description	AP3 Custom Hasp

Custom Hasps can be used as an extra protective layer for the padlock shackle. The customized hasp can be retrofitted to existing access points.



AP3-VH

Product Code	AP3-CV
Description	AP3 Custom Vault



Custom Vaults can be used for to store keys, access cards, delivery notes, invoices etc.

These can be used for a surface mount installation, recessed, retrofit variants, attaching to a permanent surface, building into brick, concrete, mortar etc.

AP3 Padlock Accessories

AP3-E-SS

Product Code	AP3-E-SS
Description	AP3 Armored Padlock Enclosure - Stainless Steel

The Stainless Steel AP3 Padlock Enclosure is designed for padlock protection and to minimize vandalism.

It can be suited for a surface mount installation, retrofit variants and attaching to a permanent surface.

Prefer a custom padlock enclosure? Contact sales@fsconnect.co.za to discuss customization.



Lock Controller Range

The Sera4 Keyless Controllers transform almost any electric lock into keyless locks connected to the Teleporte platform. The Lock Controller seamlessly integrates with existing outdoor shelters, cabinets and equipment enclosures.

2.1 Standard AX5 Lock Controller	15
2.2 AX5 Configurations	16
2.3 SLC2 Lock Controller	17
2.4 Access Pad	18
2.4 Access Pad - SLC2	18
2.5 Surface Mount Junction Boxes	19
2.5 Power Supplies	19



Lock Controller Range

FSS11832S

Product Code	FSS11832S
Description	Standard AX5 Lock Controller configuration with Relay Module installed internally

The AX5 Lock Controller with additional 12V/1A Power, Standard Harness and 1 sensor, enables any electro-mechanical lock to be integrated onto the Teleporte™ keyless access control network.

It is designed to integrate seamlessly and easily in existing outdoor shelters, cabinets and equipment enclosures.

Features

- 12v pulse active for 7 seconds to power/control electric locks
- Removable cable set for easy installation
- Relay, Solenoid Driver and Motor Driver Output Options
- Full Electrical Isolation (Option)
- Status indicator light
- Low Power Consumption

The AX5 Lock Controller is individually packaged and includes:

- 1 AX5 Controller
- 1 AX5 Cable
- 1 9V-JST Adapter
- Hardware Enablement



Dimension	A	B	C	D
Size (mm)	63	89	22	25

View the Datasheet below:



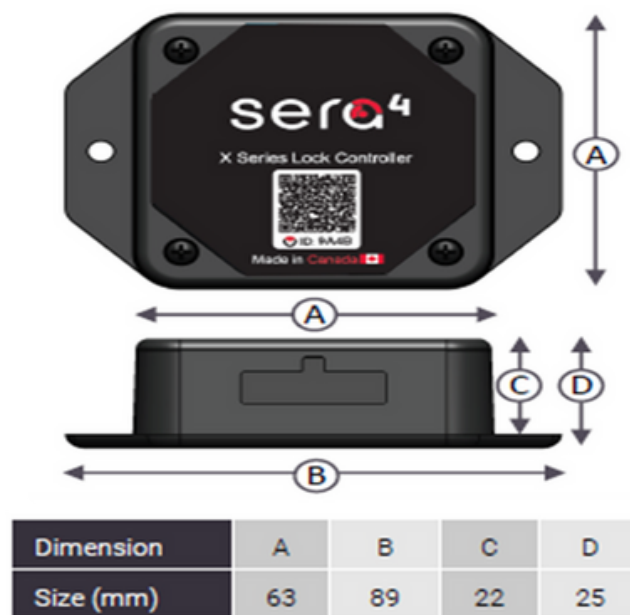
Lock Controller Range

AX5 Configurations

Product Code	AX5-i-R-PWR
Description	AX5 Lock Controller configuration for an electric lock that requires constant voltage from the orange cable of the harness. Pricing inclusive of hardware and hardware enablement.

Product Code	AX5-i-R-MAG
Description	AX5 Lock Controller configuration that constantly provides 12v to any lock that works similarly to a mag lock. Once control signal to open is provided to the lock the voltage will drop to 0V for 7 seconds. Pricing inclusive of hardware and hardware enablement.

Product Code	AX5-i-R-MAG-STD
Description	The AX5 Controller provides reverse polarity on the lock control line. It provides 12V to any lock that works similarly to a mag lock. Once the control signal is triggered to open, the voltage will drop to 0V for 7 seconds. In addition to this, the Controller has the ability to use the relay functionality with the orange cable. Pricing inclusive of hardware and hardware enablement.



Lock Controller Range

FSS12271S

Product Code	FSS12271S
Description	SLC2 Lock Controller including Hardware Enablement

SLC2 Lock Controller with Integrated Battery. 6 AA batteries not included.

The SLC2 Unlock Controller works with standard electro-mechanical locks that support 12VDC @ max 1A.

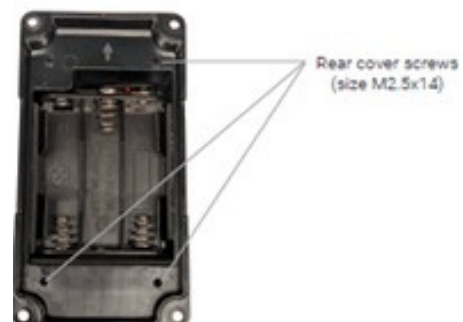
Features:

- Self-powered or connect USB-C power or any 6-12 V source
- 1-click mounting on an open DIN rail
- Only one cable needed in a minimal install: between SLC2 and lock
- Fail Secure
- Integrated latch and/or door sensor

Supported Accessories:

- Exit buttons
- AccessPad from Sera4
- External door sensors

View the Datasheet and Installation Guide below:



Lock Controller Range

FSS12105S

Product Code	FSS12105S
Description	Access Pad - external status, button and 9V backup terminal with boost to 12v

The Access Pad is designed to be mounted on the outside of cabinets and shelters that are controlled by a Sera4 Lock Controller. It brings the following features to an easily accessible point on the outside of the cabinet:

External 9V battery terminal: used in emergencies to ensure the access system works even if all other sources of power are not active.

Button: enables controller wakeup for

- installations that are powered only by battery.

LED Indicator: shows controller status and

- enables Failsafe Unlock, for audit-compliant opens without a smartphone.

Features

9V backup battery terminal w/boost for 12V/0.5A locks

Button with LED power indicator

Quick and easy to install

1-cable connection to a Sera4 Lock Controller

Outdoor design for extreme weather

-



Dimension	A	B	C
Size (mm)	40	60	25

FSS11728S

Product Code	FSS11728S
Description	Access Pad - external status, button and 9V backup terminal for SLC2

AX5 Controller Accessories

AX5-E

Product Code	AX5-E
Description	AX5 Surface Mount Enclosure - Junction Box

The AX5 Junction Box Enclosure is designed for AX5 protection and to minimize vandalism.

It can be suited for a surface mount installation, retrofit variants and attaching to a permanent surface.

Prefer a custom controller enclosure?
Contact sales@fsconnect.co.za to discuss customization.



IP level: IP55
IK level: IK07

AX5-PS

Product Code	Description
FSS10231S	9v Battery
FSS10086S	12v Battery
REG10043S	24v Power Supply



There are two ways to power the AX5 Controller:

1. Red Cable 18VDC - 60VDC
2. Black/Yellow Cable 9VDC - 12VDC

Recommended Locking Mechanisms

Lock Controllers can be retrofitted to specific applications such as Cabinets, Enclosures, Standard Doors, Gates, etc. Below are the recommended locking mechanisms that can be used to retrofit the Lock Controllers.

Recommended Locking Mechanisms - Indoor Use

3.19 Series Electromechanical Rotary Lock - Full Featured	21
3.28 Series Electromechanical Rotary Lock - Basic Functionality	22
3.34 & 6 Series Electronic Rotary Latch Lock - All metal construction	23
3.4 Electric Strike lock	24
3.4 Dirak Electric Bolt lock	24
3.5 Indoor Electric Swing Handle	25
3.5 Electromagnetic Locks	25

Recommended Locking Mechanisms - Outdoor Use

3.61 & 2 Series Electronic Rotary Latch - All metal construction	26
3.75 & 7 Series Electronic Rotary Latch	27
3.8 Narrow Electric Bolt 12v (Failsecure)	28
3.8 Bolt Action Lock-Failsecure	28
3.9 Outdoor Electric Swing handle	29
3.9 12v Linear Actuator	29
3.10 Rotary Push-to-Close Latch - Micro	30
3.10 Rotary Push-to-Close Latch - Small	30
3.11 Rotary Push-to-Close Latch - Heavy Duty	31

Recommended Locking Mechanisms - Accessories

3.12 Rotary Push-to-Close Latch, Striker, Striker Bolt, M8 Thread	32
3.12 Rotary Push-to-Close Latch Striker	32



Recommended Locking Mechanisms

Indoor Use

FSS12284S

Product Code	FSS12284S
Description	9 Series Electromechanical Rotary Lock - Full Featured

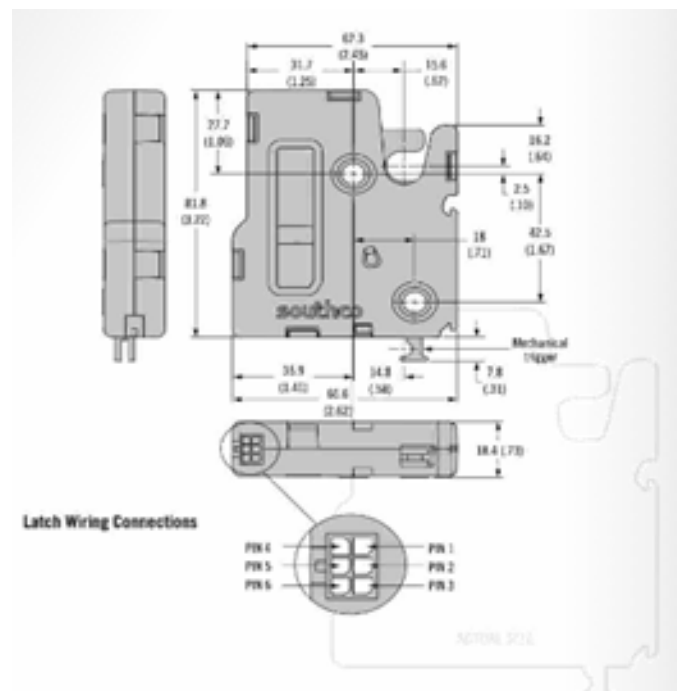
Features:

- Push-to-close electronic release
- High electromechanical release load
- Minimal power draw
- Integrated connector
 - Extended housing for added security
- Door and Trigger Sensor
 - Microswitch to detect latch status
 - Mechanical over-ride with integrated cable bracket
- 12V to 24V operations
- Efficient DC gearmotor actuation
- Detent mechanism for pull-open function
- Simple two-hole installation
 -

Best/Used for: Indoor

Trigger Style: Rear Trigger

Available in other configurations, contact sales@fsconnect.co.za for more



Recommended Locking Mechanisms

Indoor Use

FSS11990S

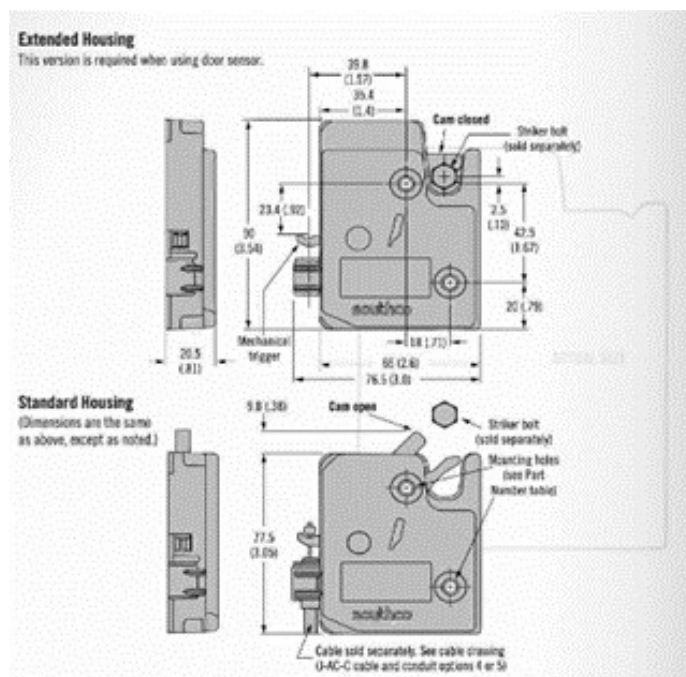
Product Code	FSS11990S
Description	8 Series Electromechanical Rotary Lock - Basic Functionality

Features:

- Minimal power draw
- Integrated connector
- Extended housing option for added security
- Optional door sensor
 - Microswitch to detect latch status
 - Mechanical over-ride with integrated cable bracket
- Efficient DC motor actuation
- Simple two-hole installation

Best/Used for: Indoor
 Trigger Style: Side Trigger
 Voltage: 12 Volts

Available in other configurations, contact sales@fsconnect.co.za for more



Recommended Locking Mechanisms

Indoor Use

FSS12286S

Product Code	FSS12286S
Description	4 & 6 Series Electronic Rotary Latch Lock - All metal construction

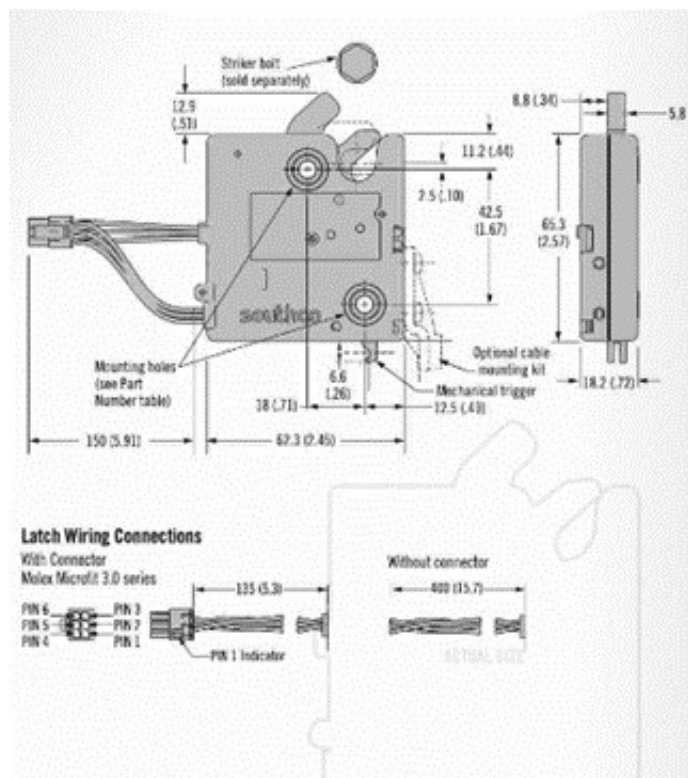
Features:

- Compact
- Light weight construction
- Auto re-lock version
 - Push-to-close electronic release
 - Versatile rotary mechanism
- Concealed latching
- Microprocessor control
- Minimal power draw
 - Simple mechanical over-ride
- Optional internal
 - Mounting holes microswitch for latch open/close output signal

Best/Used for: Indoor

Trigger Style: Rear Trigger

Available in other configurations, contact sales@fsconnect.co.za for more



Recommended Locking Mechanisms

Indoor Use

EL-STL

Product Code	EL-HES5000
Description	Electric Strike Lock

Features:

Best Used For: Standard Doors

- .24 Amps at 12 VDC/VAC; 12 Amps at 24 VDC/VAC
- DC continuous duty/AC intermittent duty only
- Endurance 500,000 cycles
- Field selectable fail secure/ fail safe
- Strike body depth 1-1/16"
- Plug-in connector



EL-HES5000

Product Code	EL-MLU1004
Description	Dirak Electric Bolt

Features:

Best Used For: Standard Doors

- Power Supply 8-26 V (DC)
- Control Signal 8-26 V (DC)
- Stainless Steel AISI 304
- Drop-in replacement that can utilize existing hardware
- DC Motor / Power 8-24 Volts
- Lock Open Sensor



Recommended Locking Mechanisms

Indoor Use

EL-H3-EM

Product Code	EL-H3-EM
Description	Indoor Electric Swing Handle

Features:

Best Used For: Indoor Network Cabinets

- Less than 200 milliamps operating current
- 12 to 24 VDC operating voltage
- Constructed of glass-filled nylon
- Industry standard 25mm x 150mm panel prep
- Integrated sensors for lock and latch status, monitoring and alarm functions®



EL-HES5000

Product Code	EL-MAG
Description	Electromagnetic Lock

Features:

Best Used For: Standard Doors

- Remote operation: Magnetic locks can be turned on and off remotely by adjusting the power source..
- Easy to install: Magnetic locks are generally easier to install than other locks since there are no interconnecting parts.
- Quick to operate: Magnetic locks unlock instantly when the power is cut, allowing for quick release in comparison to other locks.
- Sturdy: Magnetic locks may also suffer less damage from multiple blows than do conventional locks.



Recommended Locking Mechanisms

Outdoor Use

FSS12287S

Product Code	FSS12287S
Description	1 & 2 Series Electronic Rotary Latch - All metal construction

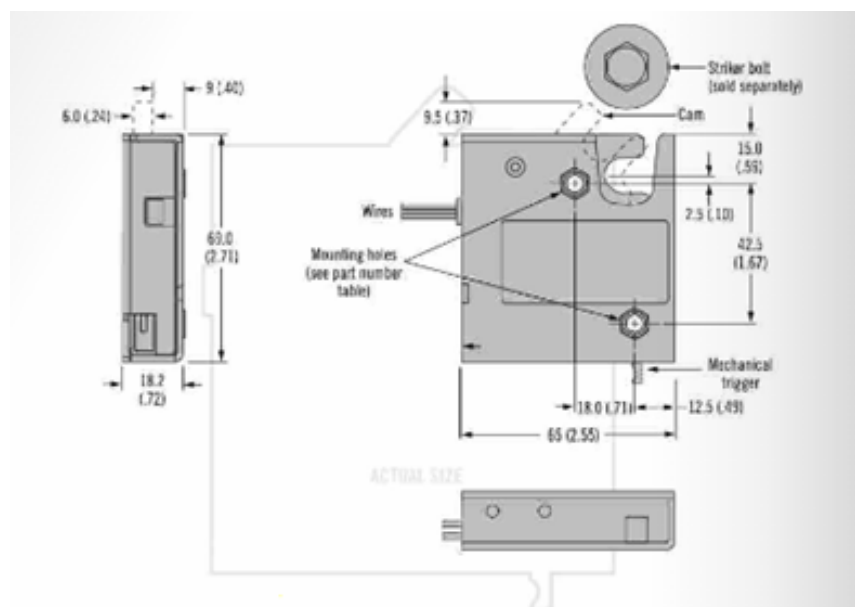
Features

- High strength, steel construction
 - Operates against high mechanical loads
- Push-to-close, electronic release
- Versatile rotary mechanism
- Concealed latching
- Microprocessor control
- Minimal power draw
- Simple mechanical override
- Optional internal microswitch for latch open/close output signal

Best/Used for: Outdoor

Trigger Style: Rear Trigger

Available in other configurations, contact sales@fsconnect.co.za for more



Recommended Locking Mechanisms

Outdoor Use

FSS12285S

Product Code	FSS12285S
Description	5 & 7 Series Electronic Rotary Latch - Outdoor Use

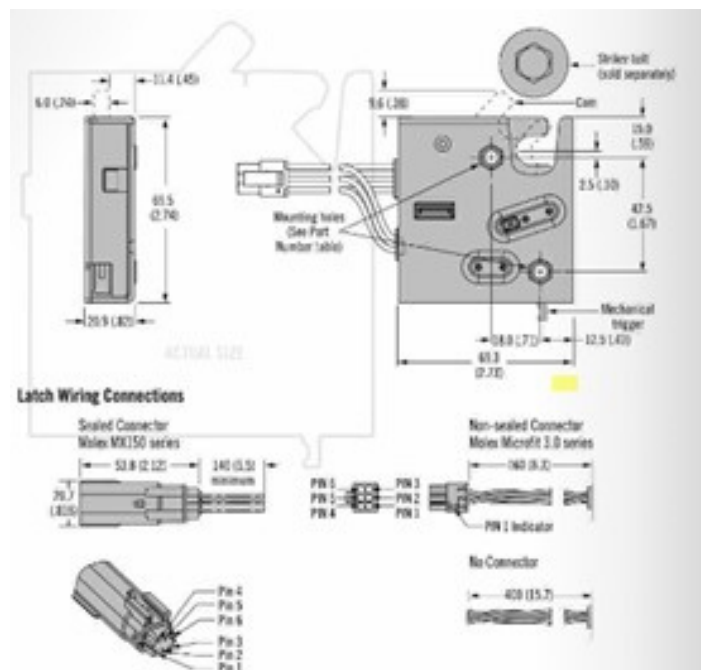
Features

- Motor actuator sealed against water and dust ingress to IP56
- Corrosion resistant plated-steel and stainless-steel options
- Push-to-close electronic release
- Versatile rotary mechanism
- Concealed latching
- Microprocessor control
- Auto or delayed relock functionality
- Minimal power draw
- Optional internal micro-switch for latch status
- Simple mechanical over-ride

Best/Used for: Micro heavy duty, Outdoor
Trigger Style: Rear Trigger



Available in other configurations, contact sales@fsconnect.co.za for more



Recommended Locking Mechanisms

Outdoor Use

FSS12478S

Product Code	FSS12478S
Description	Narrow Electric Bolt 12v (Failsecure)

Features:

Best Used For: Standard Doors, Cabinet doors

Voltage: 12VDC

Signal: Yes

Start Current: 950mA: Working Current: 80mA

Holding Force: 800 kg

Suitable Doors: wooden, glass, metal

Induction Distance: 8mm

- Faceplate Dimension: 205 x 24.5 x 39mm (Length x Width x Height)

- Lock Dimension (strike): 90 x 25 x 2mm (Length x Width x Height)

- Bolt Size (latch): 16mm



REG10107S

Product Code	REG10107S
Description	Bolt Action Lock - Fail Secure

Features:

Best Used For: Standard Doors

Voltage: 12VDC

Operating current: 900mA

Holding current: 350mA

- Lock type: Fail-secure (power to open)
- Operation delay time: 0, 3, 5 or 9 seconds
- Built-in, delayed egress control point



Recommended Locking Mechanisms

Outdoor Use

FSS12488S

Product Code	FSS12488S
Description	Outdoor Electric Swing Handle

Features:

Best Used For: Both indoor and outdoor

- Purely mechanical or electromechanical opening
- Power Supply: 12/24/48 V \pm 10%
- Max Current: 250/140/80 mA
- Operating Temperature: -20C to +70C
- IP65 according to DIN EN 60529
- Sheet metal thickness up to 10 mm (plus powder coating)
- 40 mm/ 45 mm profile cylinder



EL-CMU

Product Code	EL-CMU
Description	12v Linear Actuator

Features:

Best Used For: Outdoor Cabinets

- Material : Aluminum alloy
- Load capacity : 500N
- Input Voltage : 12V DC
- Speed : 20mm/s
- Stroke Length : 200mm/12 inch
- Working frequency: 20%
- Built-in limit switches
 - Ambient temperature -20°C to +75°C.
- Standard protection class: IP54.



Recommended Locking Mechanisms

FSS12293S

Product Code	FSS12293S
Description	Rotary Push-to-Close Latch - Micro

Features:

Best Used For: Small form factor lock that can be used with an actuator as an alternative method to open/close

Material: Steel

Finish: Zinc Nickel

Mounting Hole: 4.5 mm Thru

Installation: Rivet / Screw

Size Series: Micro Size

Style: Integrated Bumper



FSS12289S

Product Code	FSS12289S
Description	Rotary Push-to-Close Latch - Small

Features:

Best Used For: Small form factor lock that can be used with an actuator as an alternative method to open/close

Material: Steel

Finish: Zinc Plate, Bright chromate

Mounting Hole: M6 Thread

Installation: Rivet / Screw

Size Series: Small Size



Recommended Locking Mechanisms

FSS12288S

Product Code	FSS12288S
Description	Rotary Push-to-Close Latch - Heavy Duty

Features:

Best Used For: Small form factor lock that can be used with an actuator as an alternative method to open/close

- Has stronger holding force to same size lock
- Material: Steel
- Finish: Zinc Plate, Bright chromate
- Mounting Hole: 7.2 mm Thru
- Installation: Rivet / Screw
- Operation: Perpendicular
- Size Series: Heavy Duty



Recommended Locking Mechanisms

Accessories

FSS12291S

Product Code	FSS12291S
Description	Rotary Push-to-Close Latch, Striker, Striker Bolt, M8 Thread

Best Used For: Side Locking and as a form factor part of the lock (dependent on type of door)

Material: Steel

Finish: Zinc Plate, Bright chromate

Mounting Hole: M8 Thread

Size Series : Small Size

Style: Integrated Bumper

Accessory Type: Striker



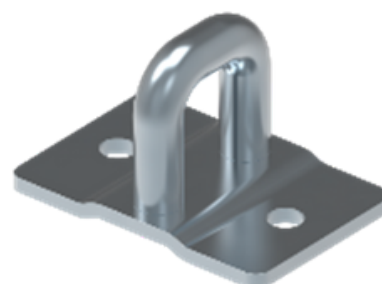
FSS12298S

Product Code	FSS12298S
Description	Rotary Push-to-Close Latch Striker

Best Used For: Front locking and as a form factor part of the lock (dependent on type of door)

Material: Steel

Accessory Type: Striker



Recommended Devices

The Sera4 Teleporte® solution provides mobile provisioning of access rights using Smartphones (IOS and Android) to distribute digital keys and control keyless locks via Bluetooth (BLE), so physical keys and network connectivity are not required to access the site.

The Teleporte Mobile Application is compatible with Apple devices IOS version 10.3 and Android devices version 6 and above. For any company issued devices that are restricted from downloading other applications, a Teleporte Android Package Kit (mobile APK) can be shared upon request from support.sera4@fsconnect.co.za for IT support teams to upload to devices.



FS Connect offers the below devices that are compatible with the Mobile App.

4.1 UleFone Armor X7 Rugged Phone	28
4.2 UleFone Armor X6 Rugged Phone	29



Recommended Devices

FSS12018S

Product Code	FSS12018S
Description	UleFone Armor X7 Rugged Phone

Ulefone Armor X7 is a rugged phone that is IP68/IP69K dust/water resistant (up to 1.5m for 30 mins), Drop-to-concrete resistance from up to 1.2 m, and MIL-STD-810G compliant.

The Armor X7 offers a handy shortcut key. This is a user-customizable button technically installed on the left side as a shortcut key.

The recording, flashlight, screen-shot, underwater camera and many other apps can be run with a single press. The custom key is default set as a PTT (push-to-talk) button, enabling you to enjoy effective communication without a hitch.

Specifications:

- 5.0" HD+ Screen
- Android 10
- 2GB RAM
- 16GB Storage
- 13MP Rear Camera
- 4000mAh Battery
- Quad-Core Processor
- IP68 & IP69K
- Face Unlock & Fingerprint ID
- Versatile Outdoor Toolkit
- PTT (Push-to-Talk) App
- Flashlight
- Underwater Camera
- Operating system: Android 10



Recommended Devices

FSS12019S

Product Code	FSS12019S
Description	UleFone Armor X6 Rugged Phone

The Armour X6 is an IP68 phone with water, drop and dust resistance. It is I69K certified and protected against close-range high pressure and water jets, perfect for people working outdoors.

Armor X6 adopts massive 4000mAh Li-polymer battery with aerospace-grade cells, stable and durable for use.

Thanks to the power-efficient MT6580 processor, Armor X6 is rated to offer up to 430 hours* of standby time and up to 13 hours* of talk time. It offers you the feeling of security for a whole day with one single charge.

Specifications:

5.0" LCD Screen

Android 9

2GB RAM

16GB Storage

8MP Rear Camera

4000mAh Battery

Quad-Core Processor

IP68 & IP69K

Face Unlock

3G Network Only

Operating system: Android 9

•



Teleporte License

The Sera4® Teleporte platform digitizes and automates the process of physical access control for critical infrastructure. Teleporte Administrators grant approved personnel scheduled access to sites or assets. They get complete information about who accessed sites, when the accesses occurred, and more. Teleporte seamlessly connects to existing management and monitoring platforms.

Security is built into the system from the ground up, with no need to tack on extra layers of security. Teleporte Cloud services are hosted in high availability data centers around the world. Each Teleporte instance communicates with a dashboard and other systems via a REST API.

5.1 Teleporte Enterprise License Options	31
5.2 Teleporte Enterprise License Features	32

The screenshot displays the Teleporte web interface with the following components:

- Navigation Bar:** Includes a menu icon, the Teleporte logo, and tabs for Sites, Users, Locks, and Locations. A user profile for GRACE is visible on the right.
- 9 Open Locks:** A table listing active locks with columns for Site, Lock, User, and Open time.

Site	Lock	User	Open
FS Connect Office	FS Demo Cabinet	Grace Sibeko	5 hours ago
Unassigned	Thabo Demo Lock-1D805	Themba Khuluse	8 days ago
FS Connect Office	Lock-0805	Jozua Byrne	12 days ago
FS Systems Demo Office	Demo Lock-13D6F	Francois de Wit	14 days ago
Unassigned	Demo Case- Access Pad	Marcelino Erasmus	a month ago
Camprosa Demo	Emergency Bollard	Jozua Byrne	2 months ago
Boniswa	Boniswa/Telkom Demo - 2	Kangadim Boniswa	6 months ago
FS Systems Demo Office	Demo Lock-13B42	Grace Sibeko	6 months ago
Unassigned	Lock-1082A	Mohamed Moosa	7 months ago
- Pending Access Requests:** A table listing requests with columns for Site, Lock, User, and Date.

Site	Lock	User	Date
FS Connect Office	Lock-10D4C	Grace Sibeko	Dec 9, 2022 3:34:04 pm
Unassigned	Lock-1605A	Grace Sibeko	Dec 8, 2022 10:04:17 am
Unassigned	Demo Case- Access Pad	Marcelino Erasmus	Nov 15, 2022 2:04:03 pm
Unassigned	Event Demo Lock 2-139AA	Marcelino Erasmus	Nov 15, 2022 1:52:51 pm
Unassigned	Demo Case Lock 1-13AFB	Marcelino Erasmus	Nov 15, 2022 1:52:46 pm
- Notifications:** A list of system alerts including:
 - Work Session: Sivive Mponposhe exceeded the time limit for a Work Session.
 - Alert: UCT Michaelis Building Fire Alarm System is in a FAULT CONDITION.
 - Work Session: Grace Demo exceeded the time limit for a Work Session.
 - Work Session: Ben Okot exceeded the time limit for a Work Session.
 - Alert: FS-Systems Demo Thermo Device detected temperatures above 22 degrees Celsius.
 - Lock Note: Grace Demo submitted a new note for Lock-10D4C.
- Map:** A map of South Africa showing the locations of various sites, with several locations marked with red and yellow pins.

Teleporte License

Enterprise Licenses

Product Code	FSS11855S
Description	3YR-Enterprise Teleporte Subscription

Product Code	FSS12019S
Description	5YR-Enterprise Teleporte Subscription

The Enterprise Teleporte Subscription for keyless access management is available in two options: 3 Year and 5 Year.

The components of Teleporte include:



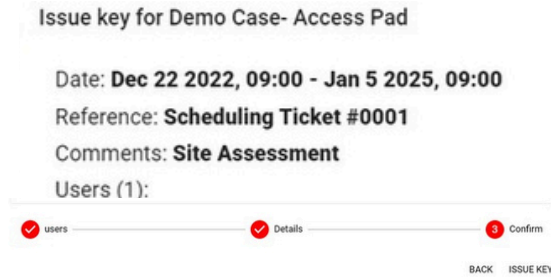
Mobile Application	
Encryption	ECDCA (Elliptic Curve) 192-bit
Supported Android Versions	6.0 and later
Supported iOS Versions	10.3 and later
Bluetooth	4.0 (BLE) and later
Number of Keys	Unlimited

Cloud Service	
Encryption	256-bit AES
Interface	REST API
Compatibility	Bluetooth, WiFi & IoT
Security	Bank-grade TLS 1.3, MFA
Users, Administrators, Locks	Unlimited

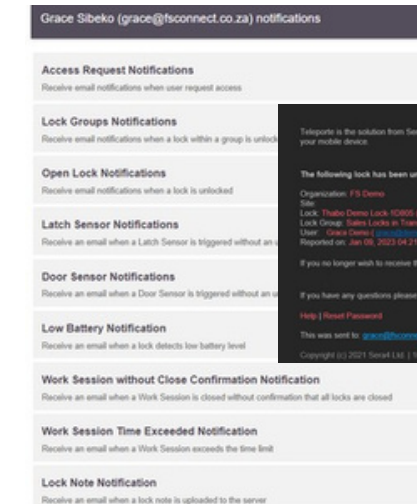
Teleporte License Features

- Key Service Generation, delivery and management of ECDSA digital keys that form the backbone of our secure access control system.

- Site Management introduces the concept of a site ID to the Teleporte admin interface to assign access points to a specific site. Administrators can grant access and see status on a per-site basis, rather than only a per-lock basis.



- Teleporte Admin Interface allows administrators to assign users, assign keys, view and download access logs and view lock status information.
- Server Updates access to the latest features at each Service Level and automatic security updates. Teleporte Cloud servers update with no downtime.
- Alerts Emails or API notifications can be triggered on user-defined conditions, notifying anyone about specified events within the Teleporte network as they happen.



- Teleporte API is the main method to interact with Teleporte Cloud. Customers can build custom integrations with their existing systems using the API. Now with Webhooks API callbacks. Comprehensive API documentation is available at apidocs.sera4.com.

- **Access Manager** is a role in the Teleporte Admin Interface for someone who can manage the accesses on a network. An Access Manager ensures that keys are issued or revoked when a monitors for Alerts. This role does not have rights to reconfigure the locks or network structure.
- **Device Restriction** - Teleporte recognizes when a user account is used on more than one mobile device. Administrators can choose whether keys will work on any device beyond the first one that was registered to that user's account. Prevents fraud through sharing of account credentials.

- **Access Logs** record who opens a lock, where they opened it, what lock was opened, and other diagnostic and system data such as the battery status in a padlock. Access Logs can be exported CSV format. Tags & Lock Groups - The Teleporte

User	Open	Closed	Duration
Christian Gevers	3/1/23 8:58 AM	3/1/23 8:58 AM	00:00:07
Christian Gevers	3/1/23 8:49 AM	3/1/23 8:49 AM	00:00:19
Grace Sibeko	3/1/23 8:48 AM	3/1/23 8:48 AM	00:00:10
Grace Sibeko	3/1/23 8:45 AM	3/1/23 8:45 AM	00:00:16
Christian Gevers	3/1/23 8:45 AM	3/1/23 8:45 AM	00:00:13
Grace Sibeko	3/1/23 8:38 AM	3/1/23 8:40 AM	00:00:18
Christian Gevers	3/1/23 8:33 AM	3/1/23 8:33 AM	00:00:13
Christian Gevers	3/1/23 8:32 AM	3/1/23 8:32 AM	00:00:18
Grace Sibeko	3/1/23 4:54 PM	3/1/23 4:55 PM	00:00:26
Grace Sibeko	3/1/23 4:51 PM	3/1/23 4:52 PM	00:01:25
Grace Sibeko	3/1/23 4:36 PM	3/1/23 4:36 PM	00:00:07
Grace Sibeko	3/1/23 4:29 PM	3/1/23 4:29 PM	00:00:31

- Admin Interface can report based on arbitrary groups (such as user and lock groups). These logical groupings can help administrators to manage their network more efficiently.

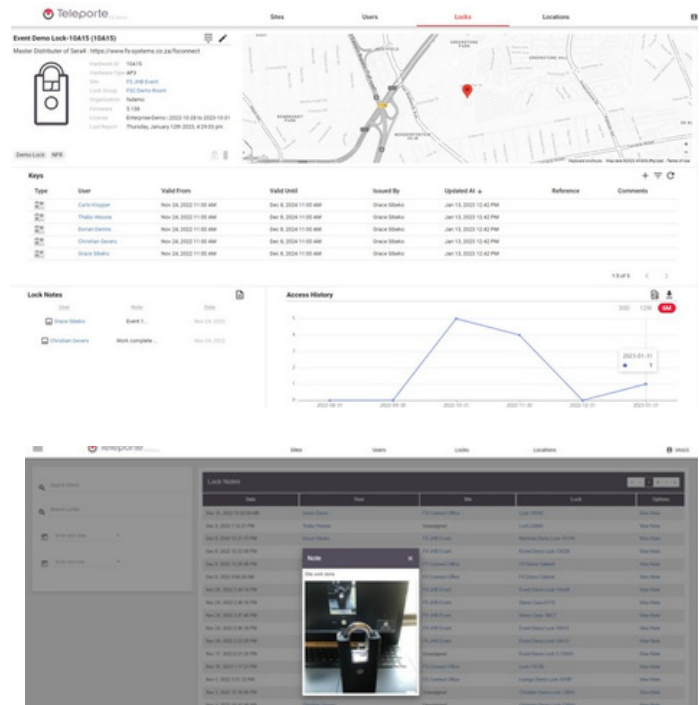
Teleporte License

Features

- **Lock Mapping** - The Admin Dashboard provides easy visualization of your sites, highlighting status and location. The dashboard has dynamic lists of which sites are open, which locks may need service, who is requesting access where and other alerts.
- **Photos and Notes Records** - Each lock has a series of end-user photos or notes attached to it and stored on the server. This can be used to audit compliance or record any form of field comments or concerns.
- **Bulk User and Key Upload** - Create users and keys in your Teleporte network by listing them in a template for upload rather than one-by-one.
- **Failsafe Unlock** - Sera4 controllers (with the Sera4 AccessPad) and padlocks can be unlocked by a sequence of button presses supplied by the system administrator. This access method is useful if a smartphone with Bluetooth Technology is not readily available. The Failsafe Unlock option can be enabled on a per-lock basis



- **Teleporte Mobile Application** - Sera4 publishes Teleporte apps for Android smartphones and for iOS. The Teleporte app is updated on a regular basis to introduce new features, improve reliability and add support for new phone models. Anyone can download the Teleporte app.



- **Real Time Status Access Logs** are updated in real time. For Teleporte networks which enable Offline Lock Access, access logs are automatically updated when smartphones are in coverage. End users or administrators do not need to take any action to upload or reconcile access logs.
- **Offline Lock Access** - Sera4 locks work just as well when outside of Wi-Fi or cellular coverage as they do when in coverage. Teleporte is designed for use in remote geographies or when networks are experiencing a service interruption.

Teleporte License

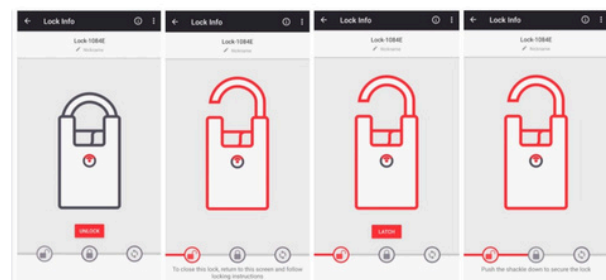
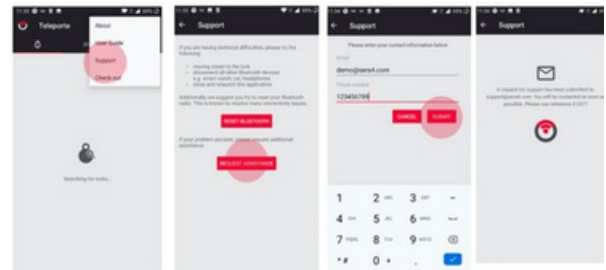
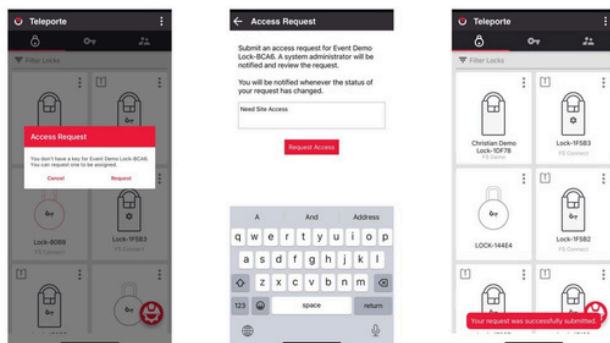
Features

- In-App Support Tickets capture all relevant lock and app data and send a request for immediate support to a service desk.
- Work Sessions enforces strict process controls during a site visit to ensure users have secured the site before leaving. It also groups activity in Teleporte logs by visit. Users are required to check-in upon arrival, and check-out before leaving – and administrators are notified of any process deviance.

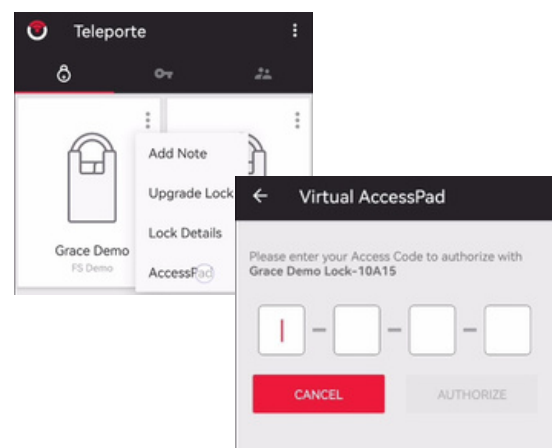
Connected Latch - Sera4 padlocks will only close secured in the Connected Latch mode if specifically instructed to by the Teleporte mobile application. This explicit action ensures that records of which sites are open and which sites

- Multi-Authentication Unlock - For high-security applications, this feature is enabled on a per-lock basis. Multi-Authentication Unlock requires up to 4 Teleporte users, each with independent keys, to simultaneously issue the command to unlock a Sera4 lock or controller in order to open.

Key Request - When someone arrives at a lock and they don't have access, they can route an access request to the Administrator to grant access in real time (subject to data network coverage).



- Delayed Entry - For high-security applications, this feature is enabled on a per-lock basis. Delayed Entry will wait a specified period of time between the Unlock command and the lock opening. This gives a mandatory delay which discourages attempts at fast thefts.
- Knowledge Base - access to FAQ, Knowledge Database and Document repository. This reference information will answer most questions and solve most issues when setting up or operating a Teleporte network.
- Virtual AccessPad - Enter a Failsafe Unlock code from with the Teleporte Mobile Application. Much more convenient than entering manually. Includes safety features to prevent brute-force attacks.



CONTACT US

sales@fsconnect.co.za

Address: Unit A01C, Stoneridge Office Park
8 Greenstone Place, Greenstone
Johannesburg, 1609, ZA
Tel: +27 (0) 87 828 0428

or take a look our **Knowledge Base**:

